

GT-TC133X-HXXX-LX

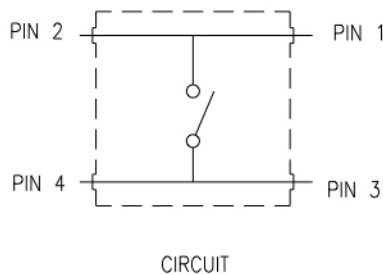
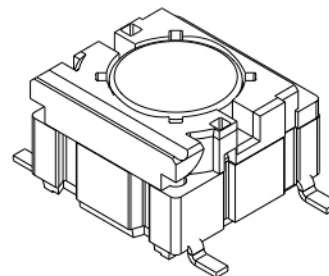
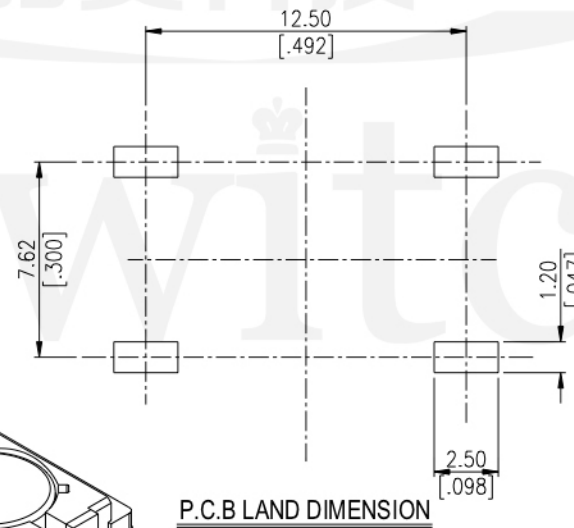
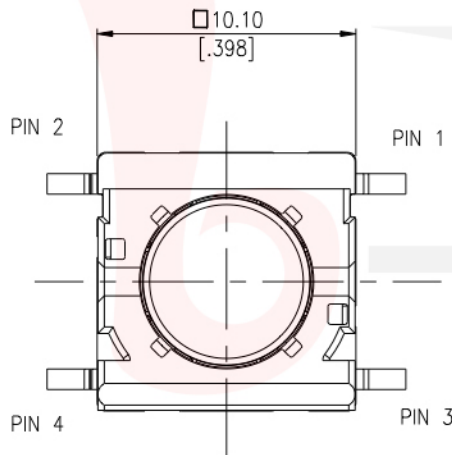
G-SWITCH



Operating Force
B=350gf

Switch Height (mm)
H064=6.4mm

Switch lifetime (Force)
L1=100,000 Cycles



G-Switch Specification:

Operating temperature range : -40°Cto+160°C
 Rating : 50mA.12V DC
 Insulation resistance: : 100MΩ min.100V DC
 Dielectric strength : 250V AC for 1 min
 Contact resistance: : 100m Ω max.
 Travel:1.0±0.2mm
 WATER RESISTANCE IPX7



	G-Switch Electronic (HongKong) CO.,Ltd.		
	DESIGN FengFengChen CHECKED APPROVED http://www.dg-switch.com TEL:0769-82388879	DATE 2019.05.29 DATE DATE	Molde code: GT-TC133X-HXXX-LX REV.: X1 SCALE: 4:1 UNIT: mm SIZE: A4 SHEET: 1/1
Unless otherwise specified, Tolerance: X. ±0.30 X.x ±0.20 X.xx ±0.15 X.xxx ±0.10 Angles ±3°			