

GT-TC176X-HXXX-LX

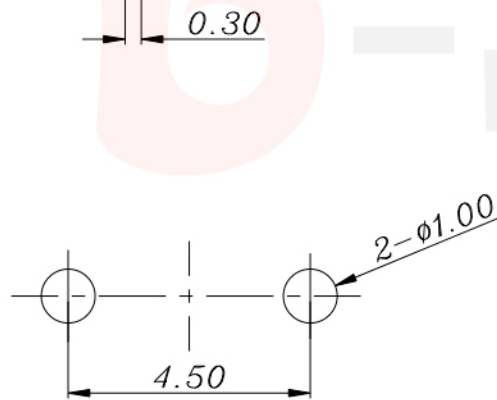
G-SWITCH

Operating Force

- A=160gf
- B=250gf
- C=100gf

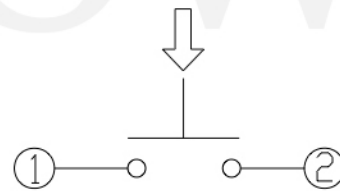
Switch Height (mm)
H050=5.0mm

Switch lifetime (Force)
L1=100,000 Cycles



P.C.B LAND DIMENSION

PUSH



电路简图

SCHFMATIC



G-Switch Specification:

Operating temperature range : -30°Cto+85°C
 Rating : 50mA.12V DC
 Insulation resistance: : 100MΩ min.100V DC
 Dielectric strength : 250V AC for 1 min
 Contact resistance: : 100m Ω max.
 Travel:0.25±0.1mm

	G-Switch Electronic (HongKong) CO.,Ltd.		
	DESIGN FengFengChen	DATE 2019.05.29	Molde code: GT-TC176X-HXXX-LX
	CHECKED	DATE	
	APPROVED	DATE	REV.: X1
Unless otherwise specified, Tolerance: X. ±0.30 X.x ±0.20 X.xx ±0.15 X.xxx ±0.10 Angles ±3°	http://www.dg-switch.com TEL:0769-82388879		SCALE: 4:1 SHEET: 1/1
		UNIT: mm	