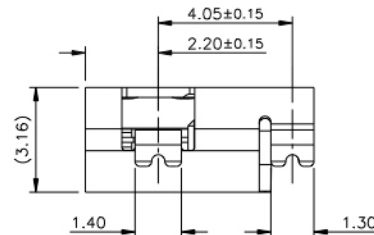
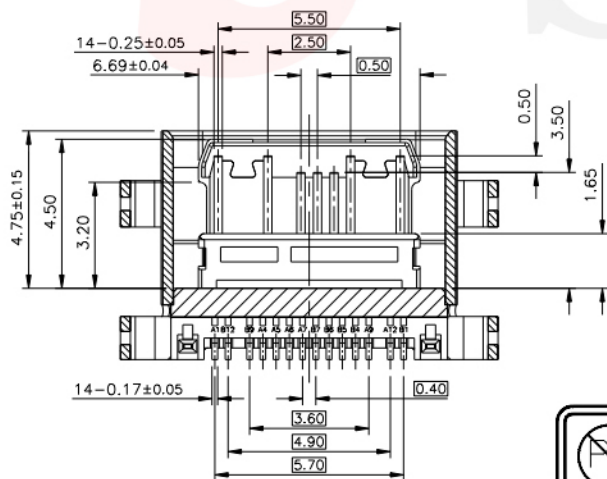


NOTES:

1. RATED CURRENT: 3A;
2. CONTACT RESISTANCE: 40mΩ MAX.;
3. INSULATION RESISTANCE: 100MΩ MIN.;
4. DIELECTRIC WITHSTANDING: 100V AC MIN.;
5. DURABILITY: 10,000 CYCLES MIN.;
6. INSERTION FORCE: 5N~20N;
7. EXTRACTION FORCE:
(1) INITIAL: 8N~20N;
(2) AFTER DURABILITY: 6N~20N.
8. PRODUCT MEET THE REQUEST OF THE RoHS.

A1			A4	A5	A6	A7		A9		A12	
GND	TX1+	TX1-	VBUS	CC1	D+	D-	SBU1	VBUS	RX2-	RX2+	GND
GND	RX1+	RX1-	VBUS	SBU2	D-	D+	CC2	VBUS	TX2-	TX2+	GND
B12			B9		B7	B6	B5	B4			B1



G-Switch Electronic (HongKong) CO.,Ltd.

Unless otherwise specified, Tolerance:
 X. ±0.30
 X.x ±0.20
 X.xx ±0.15
 X.xxx ±0.10
 Angles ±3°

DESIGN FengFengChen DATE 2019.05.29
 CHECKED DATE
 APPROVED DATE
<http://www.dg-switch.com>
 TEL:0769-82388879

Molde code:
GT-USB-7004
 REV.: X1 SCALE: 4:1 UNIT: mm
 SIZE: A4 SHEET: 1/1