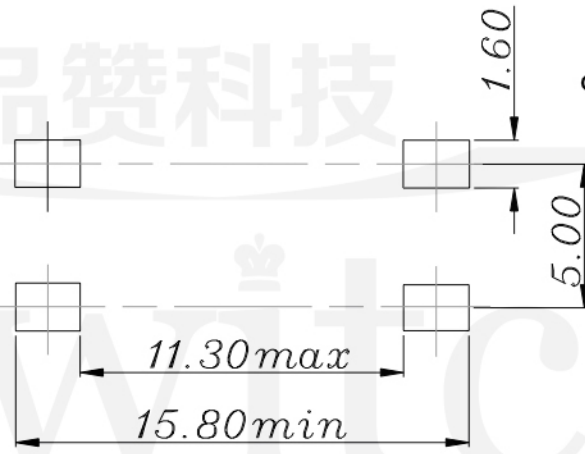
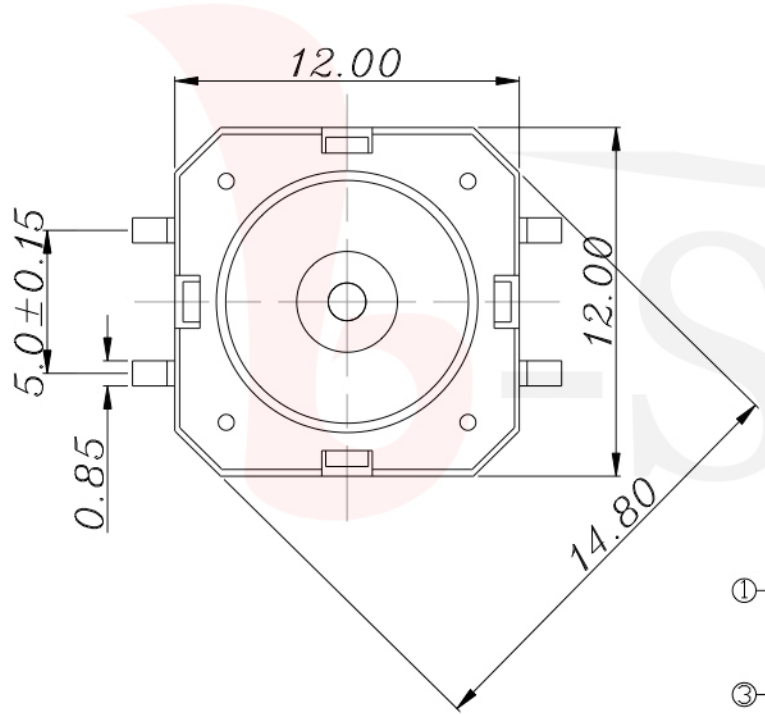


**GT-TC189X-HXXX-LX**



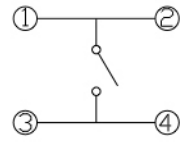
**P.C.B LAND DIMENSION**

**G-SWITCH**

**Operating Force**  
A=160gf  
B=250gf

**Switch Height (mm)**  
H0495=4.95mm

**Switch lifetime (Force)**  
L05=50,000 Cycles(B)  
L1=100,000 Cycles(A)



电路图

**G-Switch Specification:**

Operating temperature range : -30°Cto+85°C  
 Rating : 50mA.12V DC  
 Insulation resistance : 100MΩ min.100V DC  
 Dielectric strength : 250V AC for 1 min  
 Contact resistance : 100m Ω max.  
 Travel:0.35±0.1mm



**G-Switch Electronic (HongKong) CO.,Ltd.**

Unless otherwise specified, Tolerance: X. ±0.30 X.x ±0.20 X.xx ±0.15 X.xxx ±0.10 Angles ±3°	DESIGN FengFengChen	DATE 2019.05.29	Molde code:		
	CHECKED	DATE	GT-TC189X-HXXX-LX		
	APPROVED	DATE			
	http://www.dg-switch.com			REV.: X1	SCALE: 4:1
TEL:0769-82388879			SIZE: A4	SHEET: 1/1	