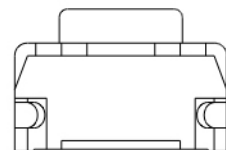
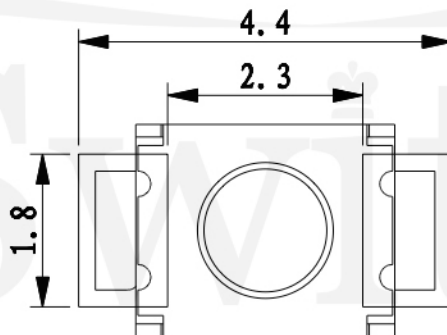
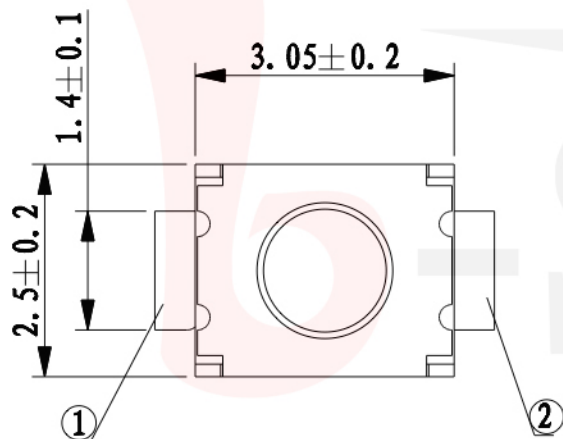


0.15 ± 0.05mm  
Travel



GT-TC032X-HXXX-LX

P. C. B LAYOUT



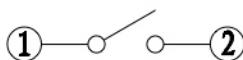
G-SWITCH

**Operating Force**  
A=160gf  
B=250gf  
C=100gf

**Switch Height (mm)**  
H015=1.5mm  
H017=1.7mm

**Switch lifetime (Force)**  
L1=100,000 Cycles

CIRCUIT



**G-Switch Specification:**

Operating temperature range : -30°Cto+85°C  
Rating : 50mA.12V DC  
Insulation resistance : 100MΩ min.100V DC  
Dielectric strength : 250V AC for 1 min  
Contact resistance : 100m Ω max.  
Travel:0.15±0.05mm

	G-Switch Electronic (HongKong) CO.,Ltd.		
	DESIGN FengFengChen	DATE 2019.05.29	Molde code:
Unless otherwise specified, Tolerance:	CHECKED	DATE	GT-TC032X-HXXX-LX
X. ±0.30	APPROVED	DATE	
X.x ±0.20	http://www.dg-switch.com		REV.: X1
X.xx ±0.15	TEL:0769-82388879		SCALE: 4:1
X.xxx ±0.10			UNIT: mm
Angles ±3°			SIZE: A4
			SHEET: 1/1