

GT-TC090X-HXXX-LX

G-SWITCH Operating Force

A=160gf
B=250gf
C=100gf

Switch Height (mm)

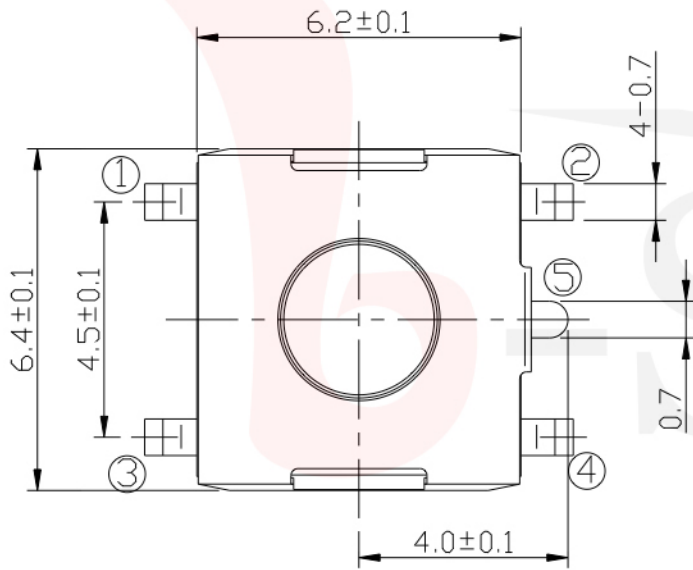
H025=2.5 H031=3.1
H035=3.5 H038=3.8
H043=4.3 H050=5.0

Switch lifetime (Force)

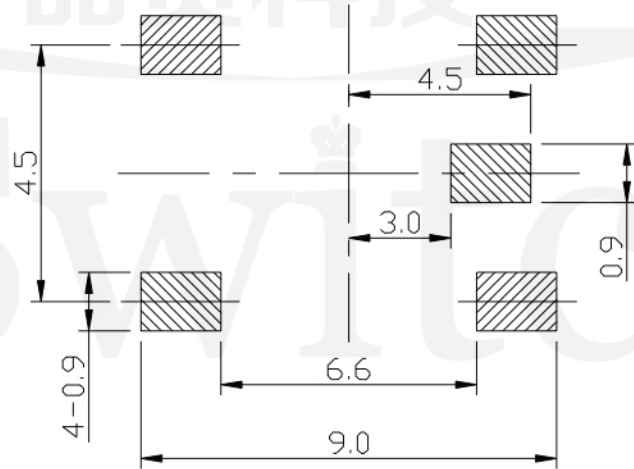
L1=100,000 Cycles
L3=300,000 Cycles

G-Switch Specification:

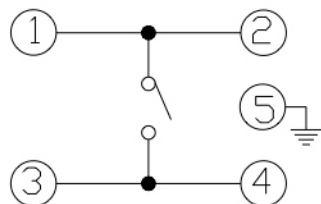
Operating temperature range: -30°C to +85°C
Rating: 50mA, 12V DC
Insulation resistance: 100MΩ min. 100V DC
Dielectric strength: 250V AC for 1 min
Contact resistance: 100mΩ max.
Travel: 0.25±0.1mm



品贊科技



P.C.B LAND DIMENSION

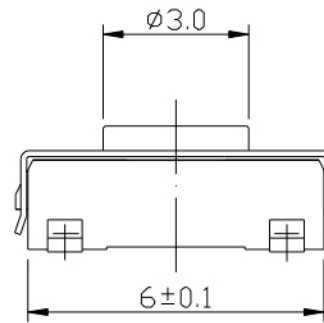
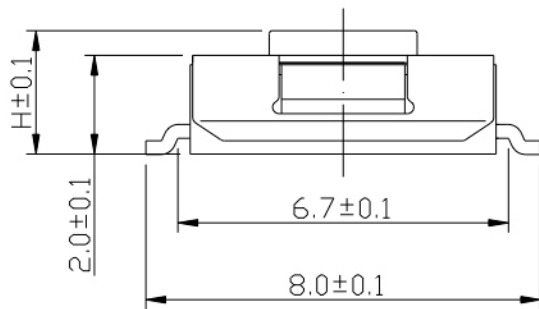


CIRCUIT DIAGRAM



G-Switch Electronic (HongKong) CO.,Ltd

Unless otherwise specified, Tolerance: X. ±0.30 X.x ±0.20 X.xx ±0.15 X.xxx ±0.10 Angles ±3°	DESIGN FengFengChen	DATE 2019.05.29	Molde code:	
	CHECKED	DATE	GT-TC090X-HXXX-LX	
	APPROVED	DATE	REV.: X1	SCALE: 4:1
	http://www.dg-switch.com		UNIT: mm	
TEL:0769-82388879	SIZE: A4	SHEET: 1/1		



GT-TS090X-HXXX-LX

G-SWITCH Operating Force

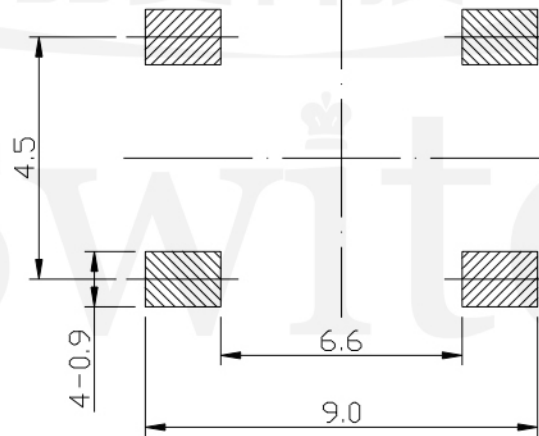
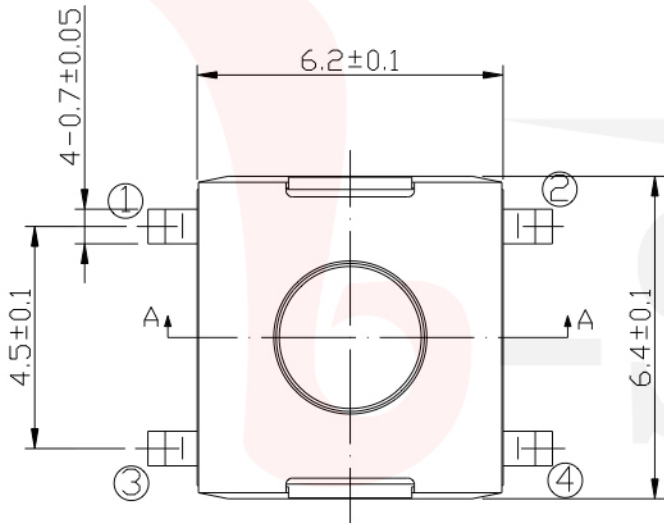
A=160gf
B=250gf
C=100gf

Switch Height (mm)

H025=2.5 H031=3.1
H035=3.5 H038=3.8
H043=4.3 H050=5.0

Switch lifetime (Force)

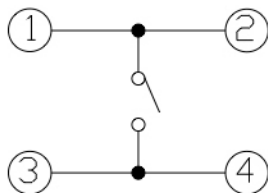
L1=100,000 Cycles
L3=300,000 Cycles



P.C.B LAND DIMENSION

G-Switch Specification:

Operating temperature range: -30°C to +85°C
Rating: 50mA, 12V DC
Insulation resistance: 100MΩ min. 100V DC
Dielectric strength: 250V AC for 1 min
Contact resistance: 100mΩ max.
Travel: 0.25±0.1mm



CIRCUIT DIAGRAM



G-Switch Electronic (HongKong) CO.,Ltd.

Unless otherwise specified, Tolerance:
X. ±0.30
X.x ±0.20
X.xx ±0.15
X.xxx ±0.10
Angles ±3°

DESIGN	陈锋枫	DATE	2016.05.29
CHECKED		DATE	
APPROVED		DATE	
http://www.dg-switch.com		REV.: X1	
TEL: 0769-82388879		SCALE:	4:1

Molde code:		
GT-TS090X-HXXX-LX		
UNIT:	mm	
SIZE:	A4	
SHEET:	1/1	