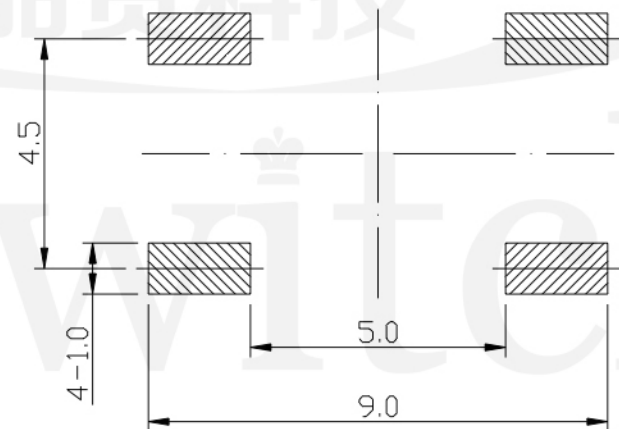
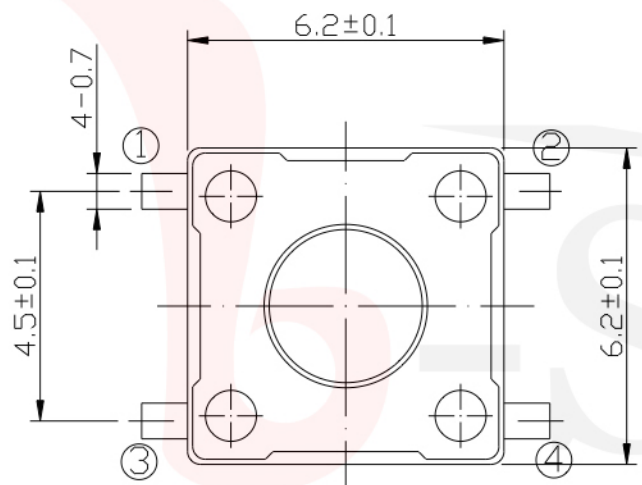


GT-TC186X-HXXX-LX

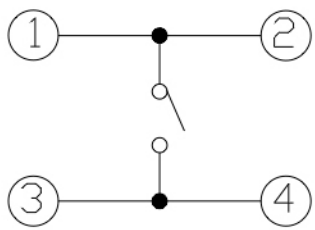


**P.C.B LAND DIMENSION**

**G-SWITCH Operating Force**  
 A=160gf  
 B=250gf

**Switch Height**  
 H025=2.5mm  
 H031=3.1mm

**Switch lifetime (Force)**  
 L1=100,000 Cycles  
 L3=300,000 Cycles  
 L5=500,000 Cycles



**CIRCUIT DIAGRAM**



G-Switch Specification:  
 Operating temperature range: -30°C to +85°C  
 Rating: 50mA, 12V DC  
 Insulation resistance: 100MΩ min, 100V DC  
 Dielectric strength: 250V AC for 1 min  
 Contact resistance: 100mΩ max.  
 Travel: 0.25±0.1mm

	<b>G-Switch Electronic (HongKong) CO.,Ltd.</b>		
	DESIGN 陈锋枫	DATE 2019.05.29	Molde code:
Unless otherwise specified, Tolerance:	CHECKED	DATE	GT-TC186X-HXXX-LX
X. ±0.30	APPROVED	DATE	
X.x ±0.20	<a href="http://www.dg-switch.com">http://www.dg-switch.com</a>		REV.: X1
X.xx ±0.15	TEL: 0769-82388879		SCALE: 4:1
X.xxx ±0.10			UNIT: mm
Angles ±3°			SIZE: A4
			SHEET: 1/1