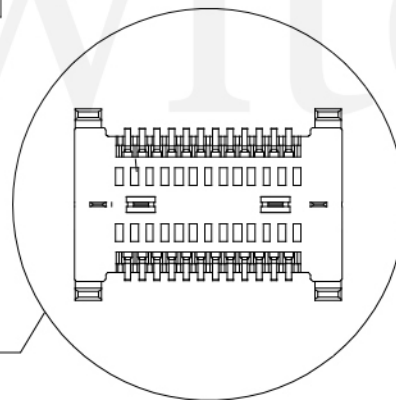
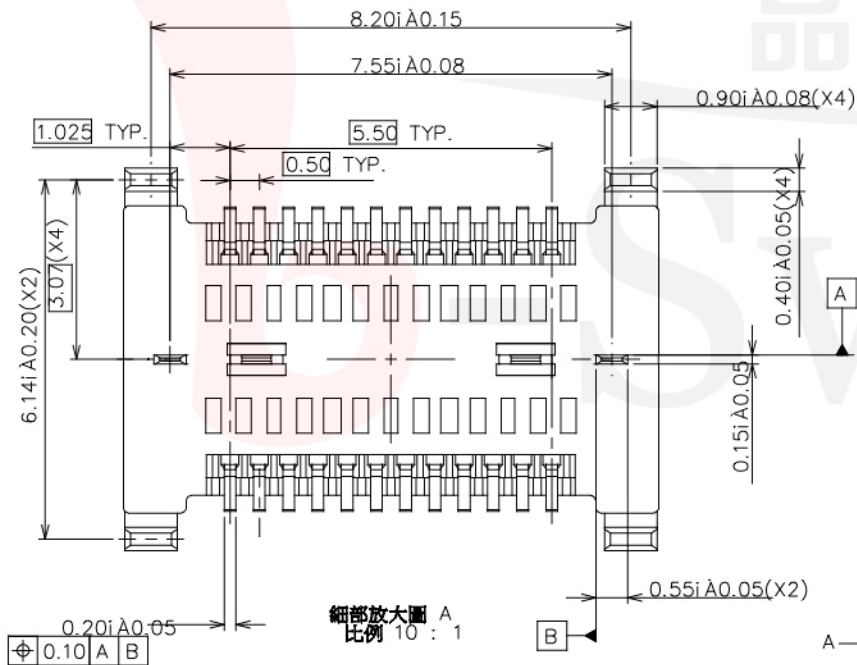
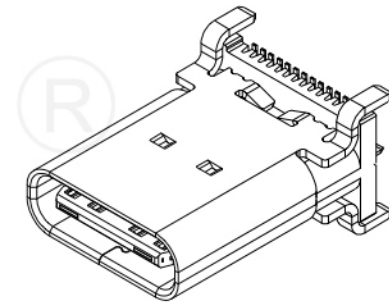


NO	DIM A	DIM B
7028A	13.30	14.30
7028B	12.00	13.00
	--	--



細部放大圖 A
比例 10 : 1

NOTES:

1.ELECTRICAL:

1.1.CONTACT CURRENT RATING 5.0A FOR VBUS AND GND(PINS A4 A9 B4 B9)

1.2. INSULATION RESISTANCE: 100 MEGAOHMS MIN. AT 250VDC.

1.3.DIELECTRIC WITHSTANDING VOLTAGE: 100VAC MIN.

1.4.LOW CONTACT RESISTANCE: INITIAL 40mΩ MAX. AFTER 50mΩ MAX.

2. MECHANICAL CHARACTERISTICS:

2.1.INSERTION FORCE:5N~20N.

2.2.EXTRACTION FORCE: 8N~20N FORM 1 TO 1000CYCLES. 6~20N FORM 1001 TO 10000CYCLES.

2.3.DURABILITY:10,000 MATING CYCLES

2.4.OPERATING TEMPERATURE:-55°C TO +85°C

3. COPLANARITY:0.08MAX.

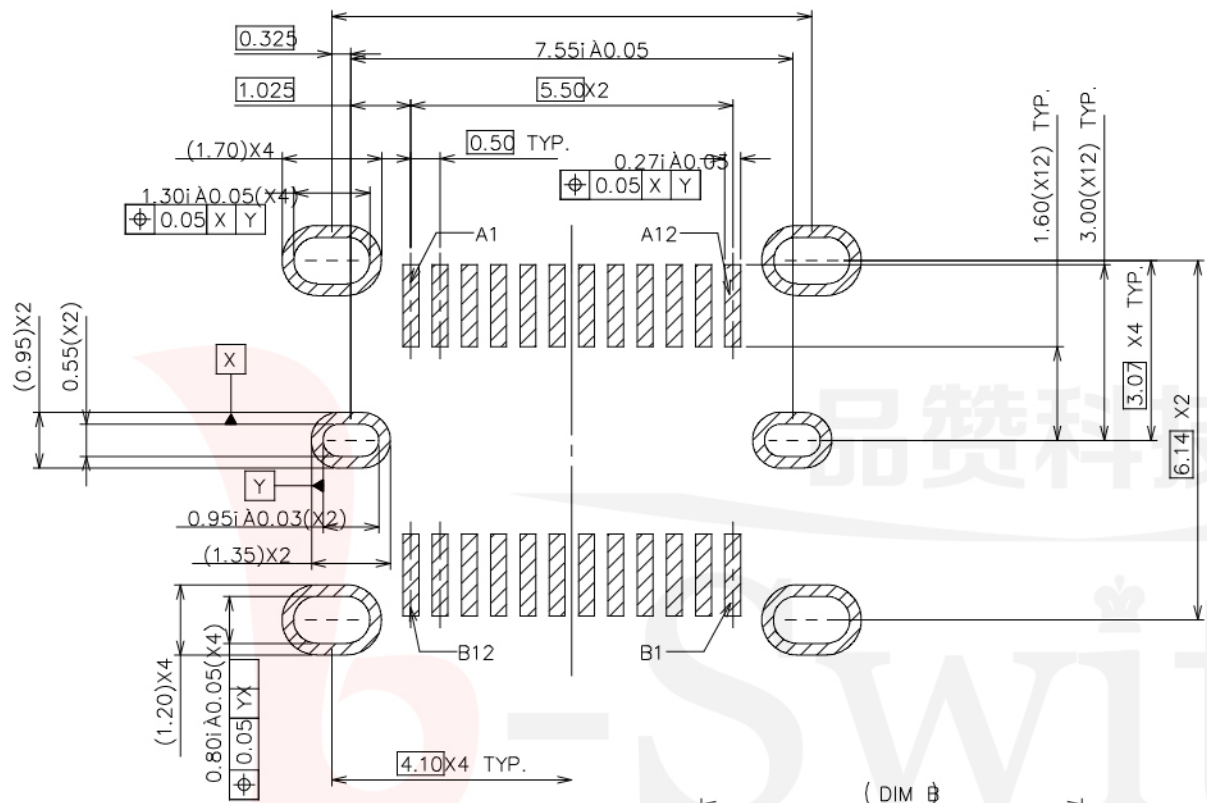


G-Switch Electronic (HongKong) CO.,Ltd.

Unless otherwise specified, Tolerance:
X. ±0.30
X.x ±0.20
X.xx ±0.15
X.xxx ±0.10
Angles ±3°

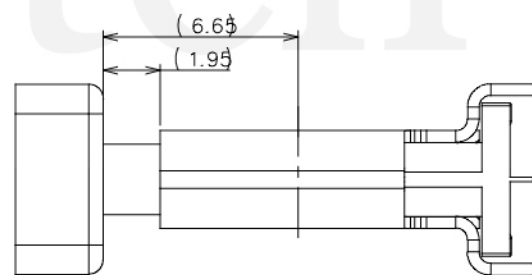
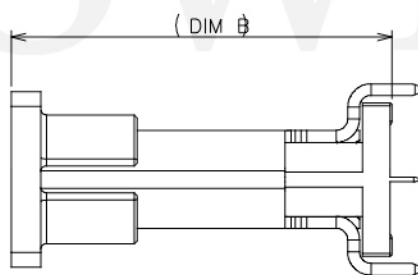
DESIGN 陈锋枫 DATE 2016.05.29
CHECKED DATE
APPROVED DATE
<http://www.dg-switch.com>
TEL:0769-82388879

TITLE:
GT-USB-7028X
REV.: X1 SCALE: 4:1 UNIT: mm
SIZE: A4 SHEET: 1/1

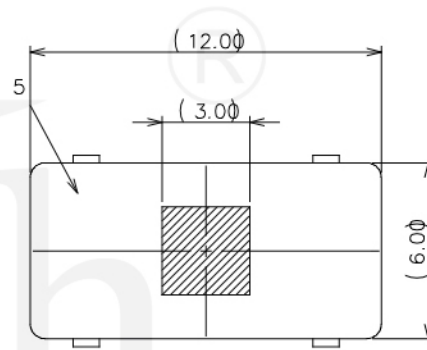


視圖比例 10:1
PCB LAYOUT TOLERANCE : ± 0.05
(TOP VIEW)

視圖比例 10:1
PCB LAYOUT TOLERANCE : ± 0.05
(TOP VIEW)



MATED CONDITION(REF.)



 <p>品贊科技®</p> <p>Unless otherwise specified, Tolerance: X. ±0.30 X.x ±0.20 X.xx ±0.15 X.xxx ±0.10 Angles ±3°</p>	<p>G-Switch Electronic (HongKong) CO.,Ltd.</p>		<p>DESIGN 陈锋枫 DATE 2016.05.29 TITLE:</p>	
	<p>CHECKED DATE</p>		<p>DATE</p>	
	<p>APPROVED DATE</p>		<p>DATE</p>	
	<p>http://www.dg-switch.com</p>		<p>REV.: X1 SCALE: 4:1 UNIT: mm</p>	
<p>TEL:0769-82388879</p>		<p>SIZE: A4 SHEET: 1/1</p>		