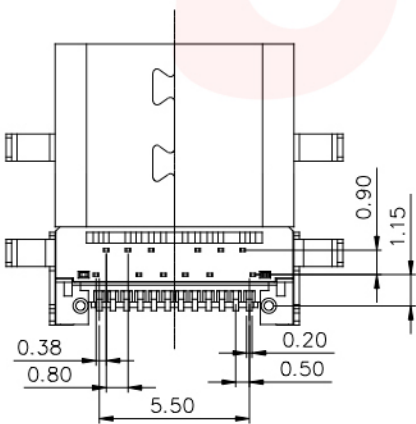
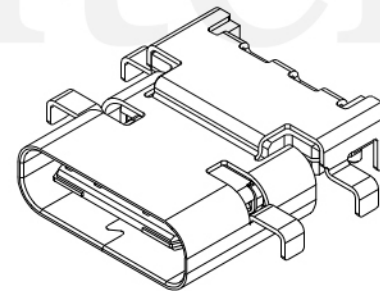


	Signal Name		Signal Name
A1	GND	B12	GND
A2	SSTXp1	B11	SSRXp1
A3	SSTXn1	B10	SSRXn1
A4	VBUS	B9	VBUS
A5	CC1	B8	SBU2
A6	Dp1	B7	Dn2
A7	Dn1	B6	Dp2
A8	SBU1	B5	CC2
A9	VBUS	B4	VBUS
A10	SSRXn2	B3	SSTXn2
A11	SSRXp2	B2	SSTXp2
A12	GND	B1	GND

NOTES:

- CONTACT CURRENT RATING:
5A FOR VBUS, 0.25A FOR OTHER;
- CONTACT RESISTANCE: 40 mΩ MAX.;
- INSULATION RESISTANCE: 100MΩ MIN.;
- DIELECTRIC WITHSTANDING: 100V AC MIN.;
- DURABILITY: 10,000 CYCLES MIN.;
- INSERTION FORCE: 5N~20N;
- EXTRACTION FORCE:
(1)INITIAL: 8N~20N;
(2)AFTER DURABILITY: 6N~20N.
- PRODUCT MEET THE REQUEST OF THE RoHS.



	G-Switch Electronic Technology CO.,Ltd.		
	DESIGN 陈锋枫	DATE 2016.05.29	TITLE: GT-USB-7005
Unless otherwise specified, Tolerance: X. ±0.30 X.x ±0.20 X.xx ±0.15 X.xxx ±0.10 Angles ±3°	CHECKED	DATE	
	APPROVED	DATE	
	http://www.dg-switch.com		REV.: X1
	TEL: 0769-82388879		SCALE: 4:1
			UNIT: mm
			SHEET: 1/1