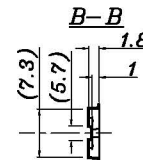
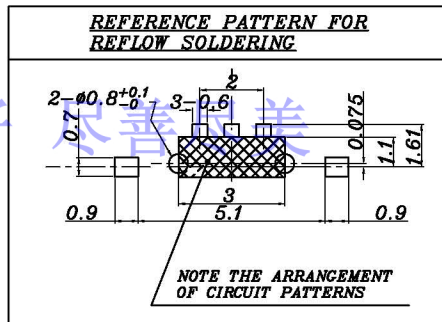
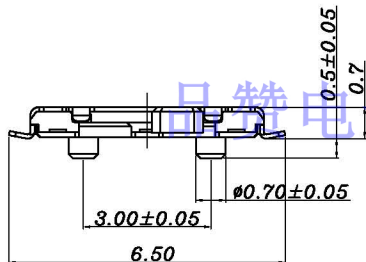


MK-11C04-G013

侧拨形式

G-SWITCH P/N

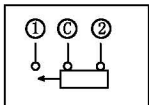
G013=1.3mm



G-Switch:

使用温度范围: -20~70℃  
 耐压: AC250V 50Hz 1min  
 额定负荷: DC 12V 0.5A  
 操作力: 200g±100gf  
 接触电阻: ≤0.05Ω  
 动作寿命: 10000次  
 绝缘电阻: ≥100MΩ

CIRCUIT DIAGRAM  
 SEE DIRECTION



**b-Switch**

Unless otherwise specified, Tolerance: X ±0.30, X.x ±0.20, X.xx ±0.15, X.xxx ±0.10, Angles ±3°

**G-Switch Electronic Technology CO.,Ltd.**

DESIGN 陈伟祺	DATE 2016.05.29	TITLE:
CHECKED	DATE	MK-11C04-G013
APPROVED	DATE	
http://www.dg-switch.com		REV.: X1 SCALE: 4:1 UNIT: mm
TEL:0769-82388879		SIZE: A4 SHEET: 1/1