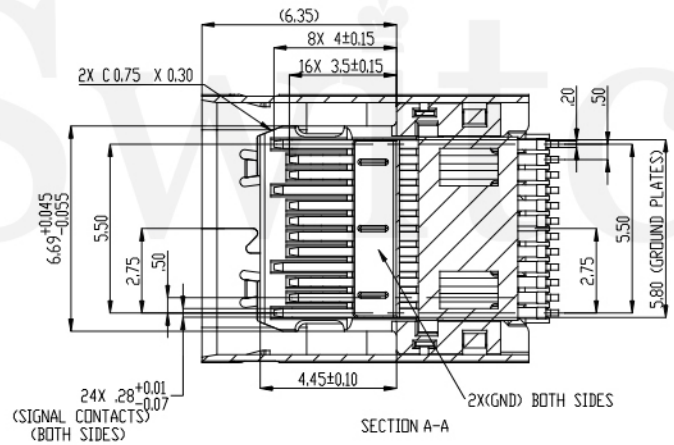
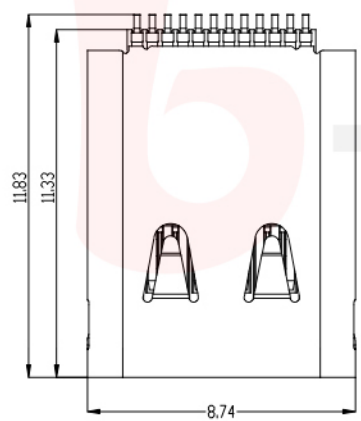


品赞科技



SPECIFICATION

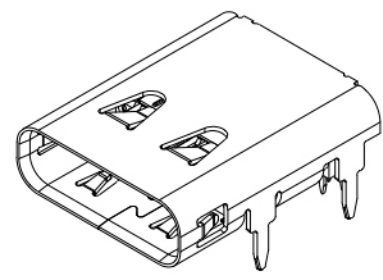
MATERIAL
 Insulator: Thermoplastic, Black
 Contacts: BRASS
 Shell: Stainless Steel

CONTACT PLATING
 Underplate: 40u"~80u" Nickel
 Contact area: 30u" Pd-Ni+2u" Selective gold,
 Solder tails area: 100u"~200u" Tin (Lead Free)

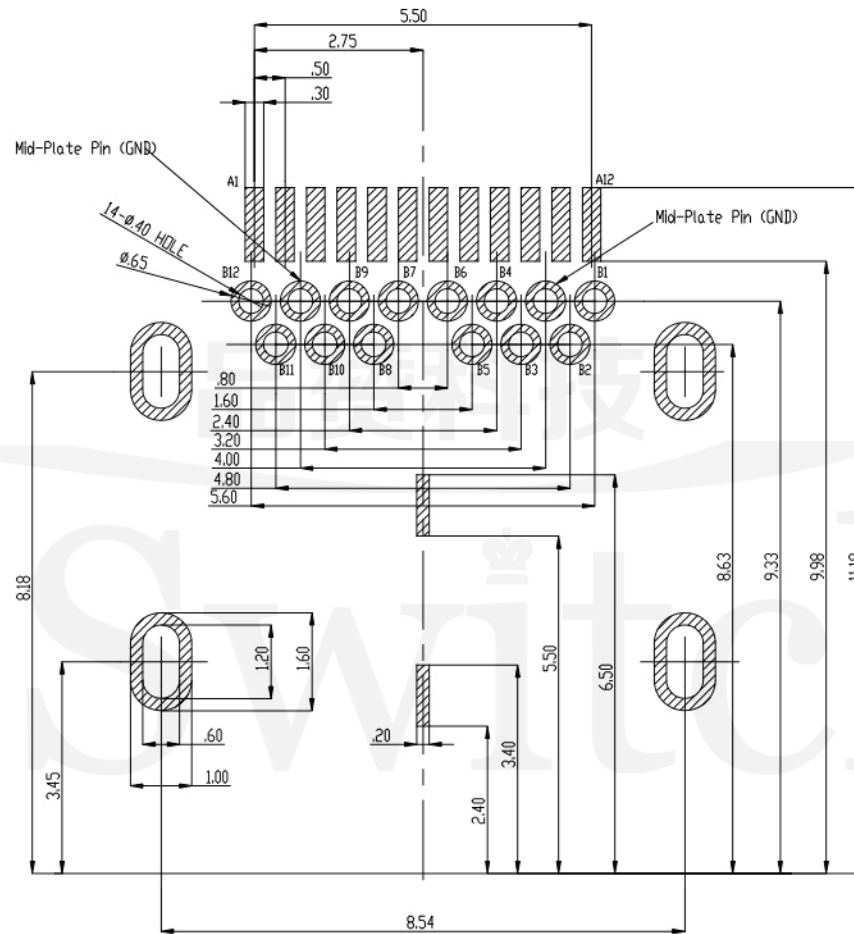
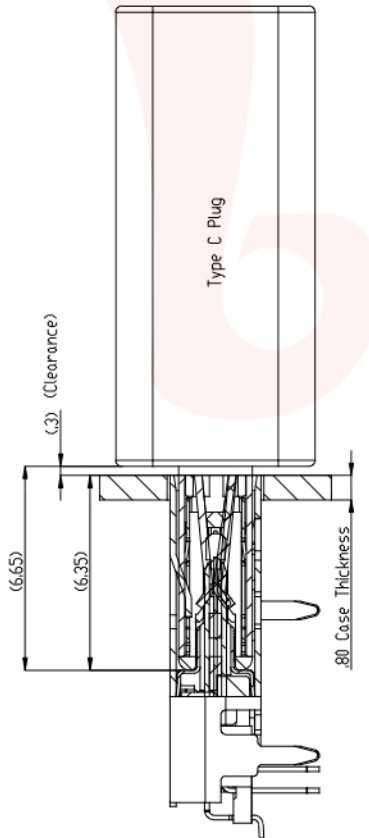
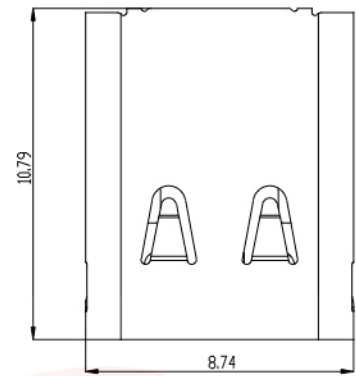
ELECTRICAL
 Operation voltage: 20 V
 Current rating: 5 Amps max.
 Insulation resistance: 100 Mohms min @ 100 VDC
 Dielectric withstanding voltage: 100 VAC / minute
 Temperature range: -55° C TO +85° C
 Mating cycles: 10,000 insertions

Part no.

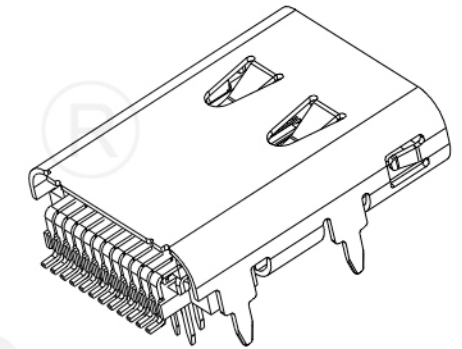
- SERIES NO.
317=USB Series
- J=SMT+DIP Type
- GREEN OPTION:
--General
D=RoHS2 (Matte)
(Halogen Free)
- CONTACT NUMBER:
24=24 PINS
- CONTACT TYPE:
B=FEMALE (LCP)
- CONTACT AREA PLATING:
Z=30u" Pd Ni+2u" GOLD
- SOLDER TAILS AREA PLATING:
T=100u"~200u" TIN (Lead Free)
- APPLY TYPE:
F3= Socket
- SHELL PLATING:
K=Ni-Plated (W/O Rear Cover)
- 1=W/O Rear masking sheet (PCB 1.00mm)
3=W/O Rear masking sheet (PCB 1.60mm)
5=W/O Rear masking sheet (PCB 1.00mm)+
7=W/O Rear masking sheet (PCB 1.60mm)+
- PACKING STYLE:
A=TRAY
C=Tape&Reel
- INSULATOR COLOR:
3=Black
C=Black+Date Code



	G-Switch Electronic (HongKong) CO.,Ltd.		
	DESIGN FengFengChen CHECKED APPROVED http://www.dg-switch.com TEL:0769-82388879	DATE 2020.05.29 DATE DATE http://www.dg-switch.com TEL:0769-82388879	Molde code: GT-USB-7056 REV.: X1 SCALE: 4:1 UNIT: mm SIZE: A4 SHEET: 1/1
Unless otherwise specified, Tolerance: X. ±0.30 X.x ±0.20 X.xx ±0.15 X.xxx ±0.10 Angles ±3°			



Recommended PCB LAYOUT
 TOLANCE ± 0.05
 PCB Thickness = 1.0 For 1.50 Solder tail
 1.6 For 1.90 Solder tail



USB TYPE -C Pin Assignments

Pin Number	Signal Name	Pin Number	Signal Name
A1	GND	B12	GND
A2	SSTXp1	B11	SSRXp1
A3	SSTXn1	B10	SSRXn1
A4	VBUS	B9	VBUS
A5	CC1	B8	SBU2
A6	Dp1	B7	Dn2
A7	Dn1	B6	Dp2
A8	SBU1	B5	CC2
A9	VBUS	B4	VBUS
A10	SSRXn2	B3	SSTXn2
A11	SSRXp2	B2	SSTXp2
A12	GND	B1	GND



G-Switch Electronic (HongKong) CO.,Ltd.

Unless otherwise specified, Tolerance:
 X. ± 0.30
 X.x ± 0.20
 X.xx ± 0.15
 X.xxx ± 0.10
 Angles $\pm 3^\circ$

DESIGN FengFengChen DATE 2020.05.29
 CHECKED DATE
 APPROVED DATE
<http://www.dg-switch.com>
 TEL:0769-82388879

Molde code:
GT-USB-7056
 REV.: X1 SCALE: 4:1 UNIT: mm
 SIZE: A4 SHEET: 1/1