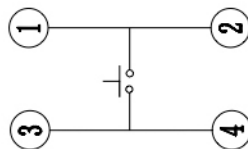
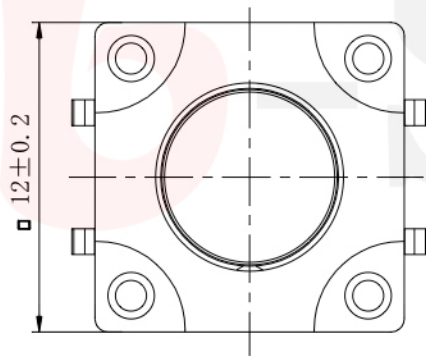


P.C.B LAND DIMENSION



CIRCUIT DIAGRAM



GT-TC154X-HXXX-LX

G-SWITCH

Operating Force
 A=160gf
 B=250gf
 C=100gf

Switch lifetime (Force)
 L05=50,000 Cycles
 L1=100,000 Cycles
 L3=300,000 Cycles
 L5=500,000 Cycles

Switch Height (mm)

H038=3.8 H043=4.3
 H045=4.5 H050=5.0
 H055=5.5 H060=6.0
 H065=6.5 H070=7.0
 H075=7.5 H080=8.0
 H085=8.5 H090=9.0
 H095=9.5 H100=10.0
 H105=10.5 H110=11.0
 H115=11.5 H120=12.0
 H125=12.5 H130=13.0
 H135=13.5 H140=14.0
 H145=14.5 H150=15.0
 H155=15.5 H160=16.0
 H165=16.5 H170=17.0

G-Switch Specification:

Operating temperature range : -30°C to +85°C
 Rating : 50mA, 12V DC
 Insulation resistance : 100MΩ min. 100V DC
 Dielectric strength : 250V AC for 1 min
 Contact resistance : 100mΩ max.
 Travel: 0.25±0.1mm



G-Switch Electronic (HongKong) CO.,Ltd.

Unless otherwise specified, Tolerance:
 X. ±0.30
 X.x ±0.20
 X.xx ±0.15
 X.xxx ±0.10
 Angles ±3°

DESIGN FengFengChen DATE 2019.05.29
 CHECKED DATE
 APPROVED DATE
<http://www.dg-switch.com>
 TEL:0769-82388879

Molde code:
GT-TC154X-HXXX-LX
 REV.: X1 SCALE: 4:1 UNIT: mm
 SIZE: A4 SHEET: 1/1