

NOTE:

- Material:
 - All Housing: LCP(Polyplastics),Black,Thermoplastics,UL94V-0
 - Insulation Jacket: LCP(Polyplastics),Black,Thermoplastics,UL94V-0
 - Contact: Copper Alloy
 - Mid Plate: Stainless Steel
 - Outer Shell: Stainless Steel
 - Inner Shell: Stainless Steel
- FINISH:
 - Contact: Au 2u" Min. over Pd-Ni 30u" Min. on Contact Area
 - Au 2u" Min. on Solder Area
 - 80-200u" Nickel Underplating Over All
 - Mid-Plate: 40-200u" Nickel Over All
 - Inner & Outer Shell: 40-200u" Nickel Over All
- Outer Shell (Insulator) Minimum Thickness 0.40mm
- Electrical Characteristics:
 - Current Rating: 5A For Pin(A4,A9,B4,B9)
 - 1.25A For Others Pin
 - Insulation Resistance: 100MΩ Min.
 - Contact Resistance: 50 mΩ Max.
 - Dielectric Withstanding Voltage: 100V/AC 1Minute
- Mechanical Characteristics:
 - Insertion Force: 5-20N
 - Extraction Force: Initial: 8-20N
 - After durability: 6-20N
 - Durability :10000 Cycles
- Operating Temperature: -30°C TO +85°C
- WATER RESISTANCE IPX7

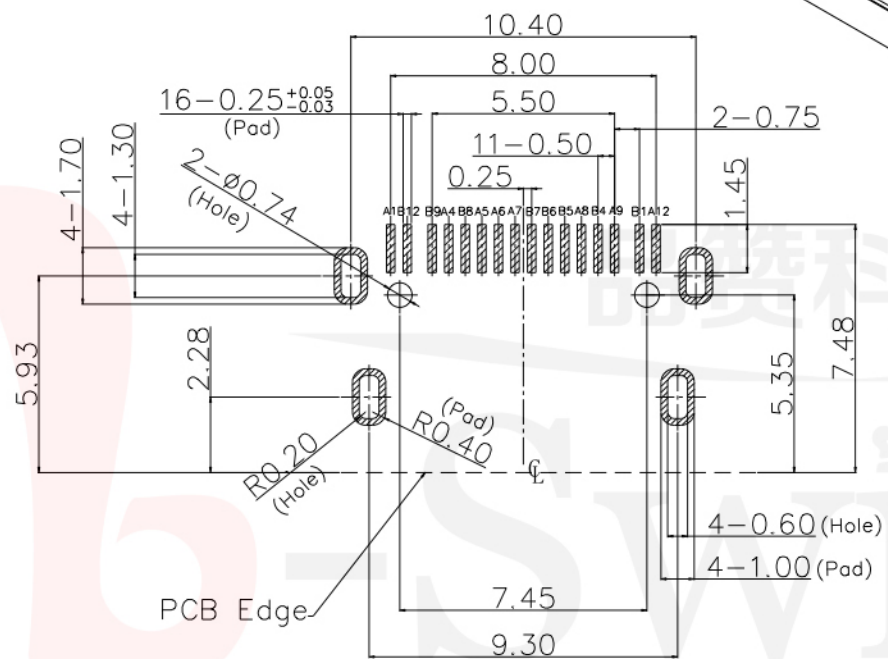


G-Switch Electronic (HongKong) CO.,Ltd.

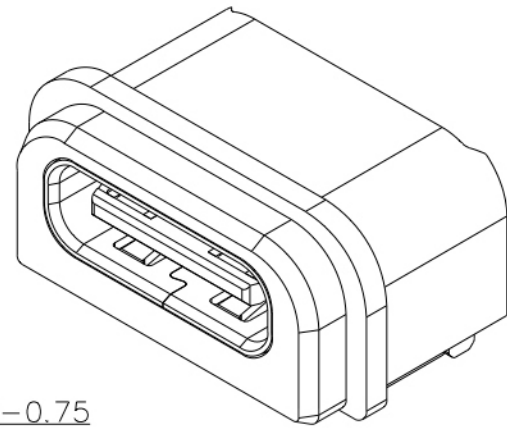
Unless otherwise specified, Tolerance:
 X. ±0.30
 X.x ±0.20
 X.xx ±0.15
 X.xxx ±0.10
 Angles ±3°

DESIGN FengFengChen DATE 2019.05.29
 CHECKED DATE
 APPROVED DATE
<http://www.dg-switch.com>
 TEL:0769-82388879

Molde code:
GT-USB-7043
 REV.: X1 SCALE: 4:1 UNIT: mm
 SIZE: A4 SHEET: 1/1



Recommended PCB Layout
 General Tolerance
 ± 0.05 Pad Area
 Top View



PIN ASSIGNMENT

	SIGNAL NAME		SIGNAL NAME
A1	GND	B12	GND
A2	TX1+	B11	RX1+
A3	TX1-	B10	RX1-
A4	VBUS	B9	VBUS
A5	CCI	B8	SBU2
A6	D+	B7	D-
A7	D-	B6	D+
A8	SBU1	B5	CC2
A9	VBUS	B4	VBUS
A10	RX2-	B3	TX2-
A11	RX2+	B2	TX2+
A12	GND	B1	GND



b-Switch 品贊科技® **G-Switch Electronic (HongKong) CO.,Ltd.**

Unless otherwise specified, Tolerance:
 X. ±0.30
 X.x ±0.20
 X.xx ±0.15
 X.xxx ±0.10
 Angles ±3°

DESIGN FengFengChen DATE 2019.05.29
 CHECKED DATE
 APPROVED DATE

http://www.dg-switch.com
 TEL:0769-82388879

DATE 2019.05.29
 Molde code:
GT-USB-7043

REV.: X1 SCALE: 4:1 UNIT: mm
 SIZE: A4 SHEET: 1/1